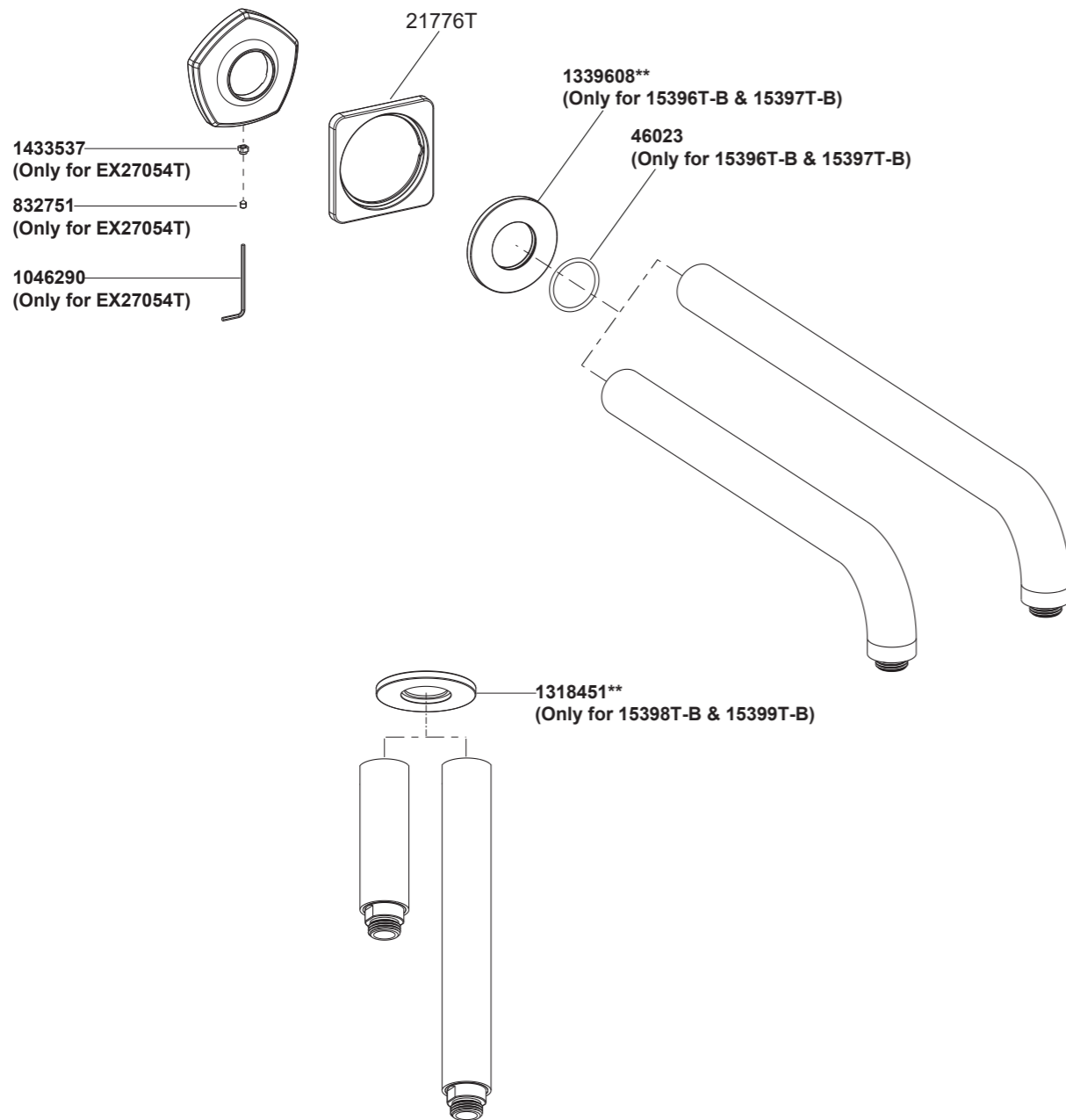


- 15396T-B 15" 墙装式花洒臂
- 15397T-B 19" 墙装式花洒臂
- 15398T-B 5" 顶装式花洒臂
- 15399T-B 10" 顶装式花洒臂
- 21776T 随心雨花洒臂装饰罩-方形
- EX27054T 随心雨花洒臂装饰罩-凯诗



**订购时请说明颜色编号
**Color code must be specified when ordering

- 15396T-B 15" 墙装式花洒臂
- 15397T-B 19" 墙装式花洒臂
- 15398T-B 5" 顶装式花洒臂
- 15399T-B 10" 顶装式花洒臂
- 21776T 随心雨花洒臂装饰罩-方形
- EX27054T 随心雨花洒臂装饰罩-凯诗

安装之前

所有的资料是按最新出版的产品资料编写而成。科勒公司保留任何时候不经通知即可改变产品特性、包装或产品可供类型的权利。

说明书包括重要的安装、保养及清洁方面的内容，请把这些资料交给用户阅读。

注意事项：

1. 切断供水管路。
2. 遵守所有当地管路安装及建筑条例。
3. 花洒臂 15396T-B, 15397T-B, 15398T-B & 15399T-B 可根据需要选配装饰罩 21776T 或 EX27054T。

BEFORE YOU BEGIN

All information is based on the latest product information available at the time of publication. Kohler Co. reserves the right to make changes in product characteristics, packaging, or availability at any time without notice.

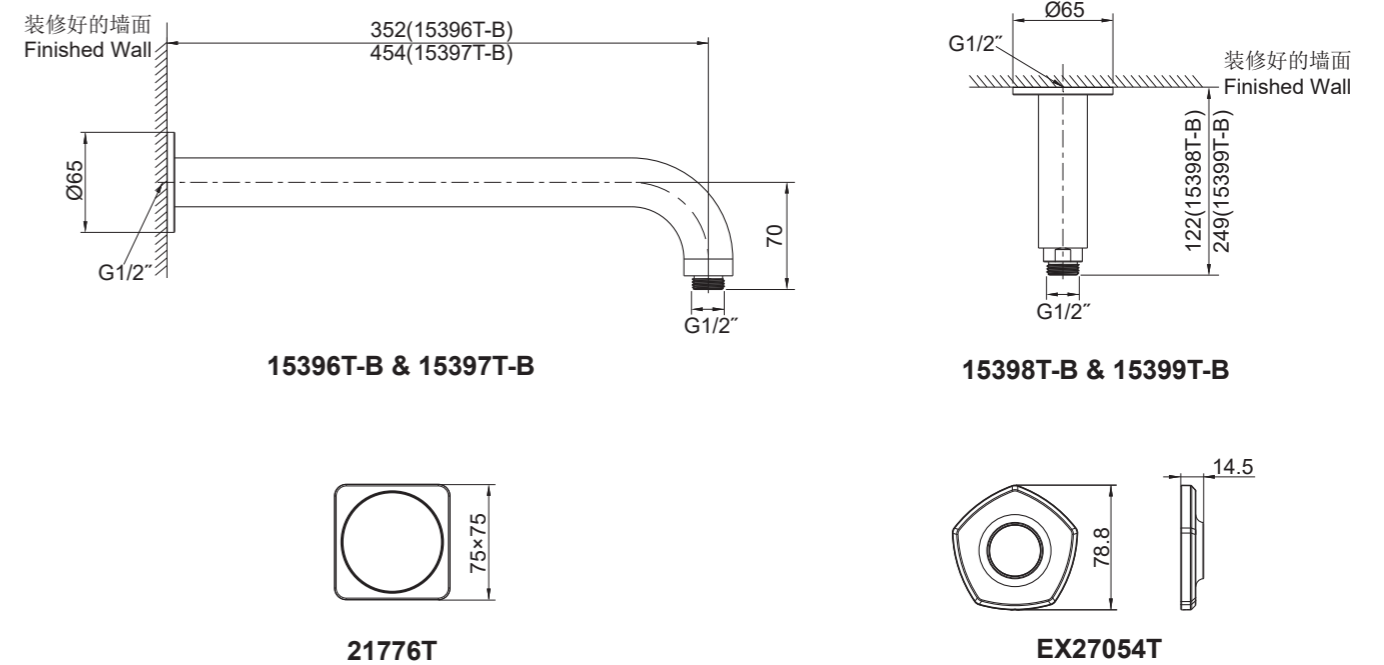
Please leave these instructions for the consumer. They contain important information.

NOTES:

1. Shut off the water supplies to the fitting.
2. Observe all local plumbing and building codes.
3. Shower arm 15396T-B, 15397T-B, 15398T-B & 15399T-B can be matched with escutcheon 21776T or EX27054T according to the needs.

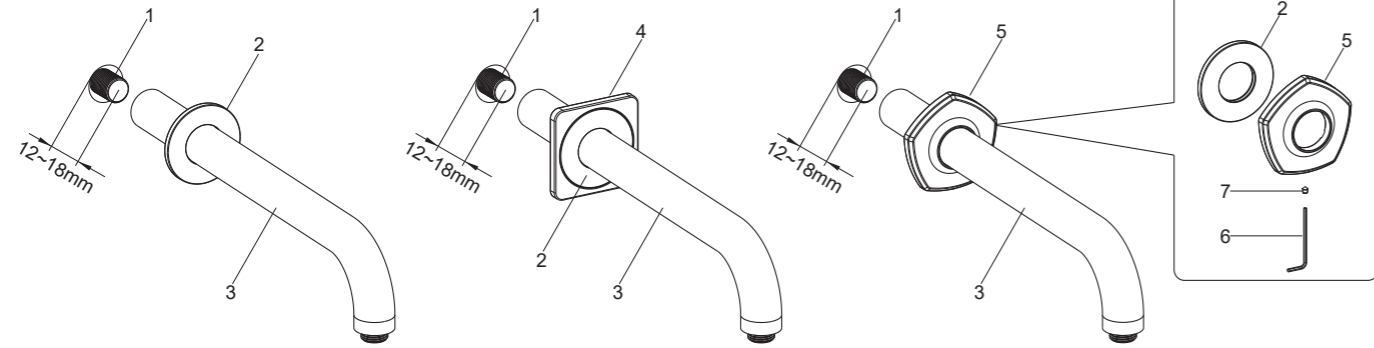
安装尺寸

ROUGH-IN DIMENSIONS



安装步骤

INSTALLATION



选择一：只用花洒臂本身装饰罩

Option 1: Only install the round escutcheon

选择二：叠加方形装饰罩21776T

Option 2: Install the square escutcheon 21776T

选择三：叠加五边形装饰罩EX27054T

Option 3: Install the pentagon escutcheon EX27054T

仅对于15396T-B & 15397T-B

在G1/2"接管(1, 客户自备)两端螺纹上缠绕足以密封的密封胶带或涂合适的密封膏。安装G1/2"接管, 接管露出墙外12~18mm。

客户可根据需求搭配不同的装饰罩。

选择一：只用花洒臂本身装饰罩

将圆形装饰罩(2)套在花洒臂(3)上。

选择二：叠加方形装饰罩21776T

先将圆形装饰罩(2)套在花洒臂(3)上, 接着将方形装饰罩(4, 即21776T)套在圆形装饰罩上, 并调整方形装饰罩的方向。

选择三：叠加五边形装饰罩EX27054T

先将圆形装饰罩(2)置于五边形装饰罩(5, 即EX27054T)背面, 并用六角扳手(6)锁紧螺钉(7)固定, 接着将带有圆形装饰罩的五边形装饰罩套在花洒臂(3)上。

用带状扳手拧紧花洒臂(3)到G1/2"接管(1)上, 调整花洒臂方向使其向下。向后推装饰罩直至与墙面贴紧。

打开水源, 冲水约一分钟, 以清除杂质。

Only for 15396T-B & 15397T-B

Apply tape or sealant to the G1/2" nipple(1, not provided) threads. Install the G1/2" nipple to extend 12-18mm beyond the finished wall.

Customer can select different escutcheon according to their needs.

Option 1: Only install the round escutcheon

Slide the round escutcheon(2) onto the shower arm(3).

Option 2: Install the square escutcheon 21776T

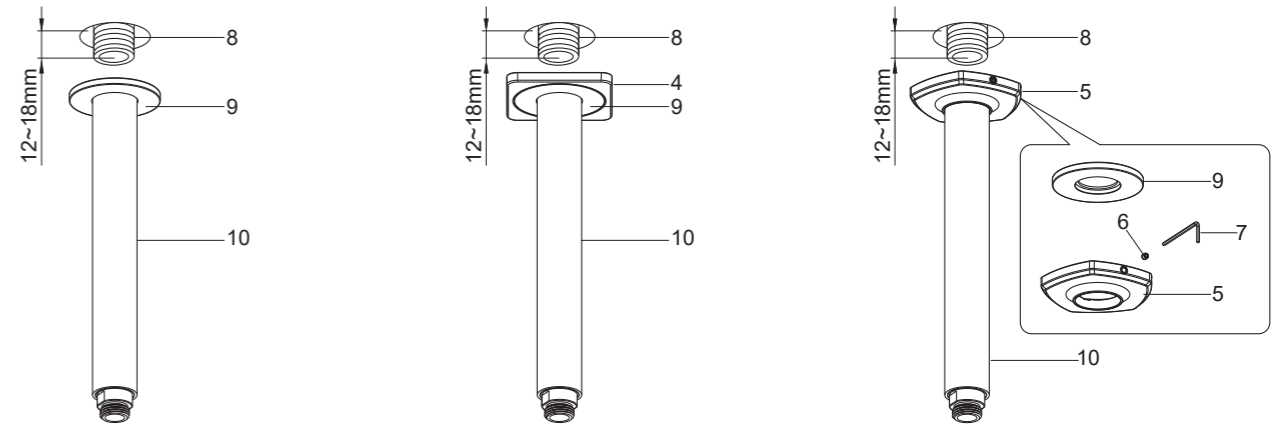
Slide the round escutcheon(2) onto the shower arm(3). Slide the square escutcheon(4, 21776T) onto the round escutcheon. Adjust the square escutcheon direction.

Option 3: Install the pentagon escutcheon EX27054T

Put the round escutcheon(2) into the backside of the pentagon escutcheon(5, EX27054T), and then tighten the screw(7) with wrench(6). Slide the pentagon escutcheon with the round escutcheon onto the shower arm(3).

Thread the shower arm(3) to the G1/2" nipple(1), and tighten by strap wrench. Adjust the shower arm to make it downwards. Push the escutcheon until it is against the finished wall.

Flush both water supplies through the shower arm for about one minute to remove debris.



选择一：只用花洒臂本身装饰罩

Option 1: Only install the round escutcheon

选择二：叠加方形装饰罩21776T

Option 2: Install the square escutcheon 21776T

选择三：叠加五边形装饰罩EX27054T

Option 3: Install the pentagon escutcheon EX27054T

仅对于15398T-B & 15399T-B

在G1/2"接管(8, 客户自备)两端螺纹上缠绕足以密封的密封胶带或涂合适的密封膏。安装G1/2"接管, 接管露出墙外12~18mm。

客户可根据需求搭配不同的装饰罩。

选择一：只用花洒臂本身装饰罩

将圆形装饰罩(9)套在花洒臂(10)上。

选择二：叠加方形装饰罩21776T

先将圆形装饰罩(9)套在花洒臂(10)上, 接着将方形装饰罩(4, 即21776T)套在圆形装饰罩上, 并调整方形装饰罩的方向。

选择三：叠加五边形装饰罩EX27054T

先将圆形装饰罩(9)置于五边形装饰罩(5, 即EX27054T)背面, 并用六角扳手(6)锁紧螺钉(7)固定, 接着将带有圆形装饰罩的五边形装饰罩套在花洒臂(10)上。

用带状扳手拧紧花洒臂(10)到G1/2"接管(8)上, 直至装饰罩与墙面贴紧。

打开水源, 冲水约一分钟, 以清除杂质。

清洗说明

适用于所有加工处理过的表面: 以中性肥皂温水清洗镀层表面, 再以干净的软布彻底擦干整个表面, 许多清洁剂, 比如氨水、去污粉及洁厕灵等, 会对电镀表面造成伤害, 切忌使用。

有磨损性的清洁用具或清洁剂也不可适用于科勒牌的水龙头及其配件上。

Only for 15398T-B & 15399T-B

Apply tape or sealant to the G1/2" nipple(1, not provided) threads. Install the G1/2" nipple to extend 12-18mm beyond the finished wall.

Customer can select different escutcheon according to their needs.

Option 1: Only install the round escutcheon

Slide the round escutcheon(9) onto the shower arm(10).

Option 2: Install the square escutcheon 21776T

Slide the round escutcheon(9) onto the shower arm(10). Slide the square escutcheon(4, 21776T) onto the round escutcheon. Adjust the square escutcheon direction.

Option 3: Install the pentagon escutcheon EX27054T

Put the round escutcheon(9) into the backside of the pentagon escutcheon(5, EX27054T), and then tighten the screw(7) with wrench(6). Slide the pentagon escutcheon with the round escutcheon onto the shower arm(10).

Thread the shower arm(10) to the G1/2" nipple(8), and tighten by strap wrench. Push the escutcheon until it is against the finished wall.

Flush both water supplies through the shower arm for about one minute to remove debris.

CLEANING INSTRUCTIONS

All Finishes: Clean the finish with mild soap and warm water. Wipe entire surface completely dry with clean soft cloth. Many cleaners may contain chemicals, such as ammonia, chlorine, toilet cleaner etc. which could adversely affect the finish and are not recommended for cleaning.

Do not use abrasive cleaners or solvents on Kohler faucets and fittings.